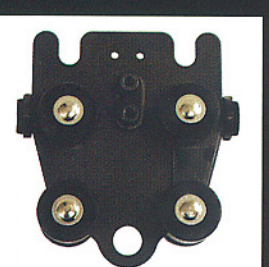
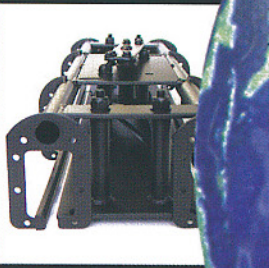
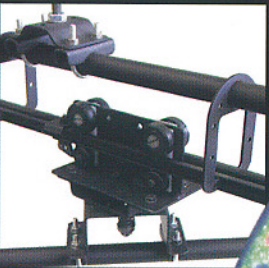


**Hall
Stage**
PRODUCTS



The original
T60 TRACK
by Hall Stage

Sold around the world - currently through 150 distributors, T60 is a great product with a great history. Whilst copies have come and gone, T60 remains - reliable, dependable and of a consistently high quality. New modifications are constantly being introduced, but the basic design continues to be the best value general purpose drupe track on the market today.

By using Hall Stage T60 systems, you can be sure that you can get additional parts and replacement components - from stock - products supported for life.

Hall Stage - innovative products for the entertainment industry

Hall Stage Limited
Unit 4 Cosgrove Way Luton,
Bedfordshire LU1 1XL UK
Tel: +44 (0) 845 345 4255
Fax: +44 (0) 845 345 4256
e-mail: sales@hallstage.com

See the complete T60 range...
and the thousands of other Hall Stage
products at your Theatre Equipment supplier
now...or visit



www.hallstage.com

General Specifications

T60 TRACK

Application

Medium duty track used in a wide range of stage and studio applications.

Finish

Black epoxy powder coat finish minimising reflection.
Other colours and finishes available upon request.

Capacity

Wheeled runners 4kg capacity, one runner per 300mm of curtain length recommended.

Optional ball raced runners 6kg capacity.

Larger capacity carriers are available upon request.

All T60 track systems and components have been load and destruction tested and function perfectly with a 50kg-imposed load, with only 2mm distortion over a 1.5m unsupported span.

Track Forms/Configurations

Wide range of configurations using;

Straight: lengths 500mm - 3.00m

Curved: sections from 0.5m radius

Operation

Walk along, hand line, hand winch or with Dynaglide curtain controller.

Rearfold system options for hand or electric traverse systems.

Fixing Options

A wide range of fixing kits are available to support track from suitable structures. 1 fixing every 1.5mtrs is advised. The descriptions below are for standard fixing options. For specialised options please contact us with your requirements.

- Universal Clamp, used to support track from wooden joist, provides track attachment to other fixings via M10 stud.
- Face Fixing Bracket to fix track to adjacent wall or proscenium opening.
- Girder Fixing Clip to suspend track from steel girder widths between 75 and 150mm.
- Tube Fixing Clip to suspend track from horizontal pipe of 38, 48 or 60mm diameter.
- Deadline Suspension Hanger to suspend track directly from a suitable support via 4mm cable.
- Barrel Fixing Clip to suspend single track lengths directly below and parallel to barrel with 38, 48 or 60mm diameter.
- 'Z' Brackets, to suspend overlapped tracks directly below and parallel to barrel with 38, 48 or 60mm diameter.

Other Options

The T60 Track can be customised to suit your requirements and to accommodate most track shapes. For further options please contact us with your requirements.

- Scenery Carriers can be used to move significant loads on all Hall Stage tracking systems.
- Swivel Arm Carriers can be used to move and swivel curtain legs.
- Beam Track, T60 Track can be strengthened and flown with a motor unit by adding a beam to the spine.
- Switch Points to transfer systems between tracks are available in manual (remote or local control) or electric operation in a variety of track configurations.
- Diversions; All operating systems can be diverted using pulley systems to allow the control of your track to be positioned as required

Please refer to current price list for COMPLETE TRACK KITS and all available components.

Figure 1

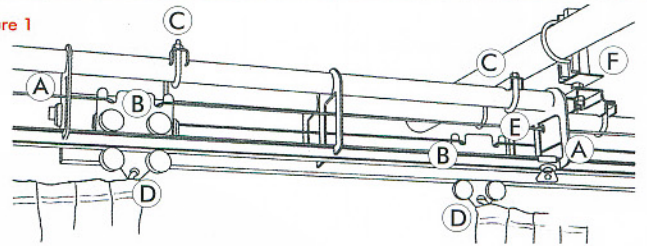


Figure 1 Key

A	Line Guides	01193
B	Wheeled Runner / slider master straight tracks	03750
C	Overlap Clips	03291
D	Tabhook	03578
E	Stop Brackets	05730
F	Tube Fixing Clip 48mm	03136

Figure 2

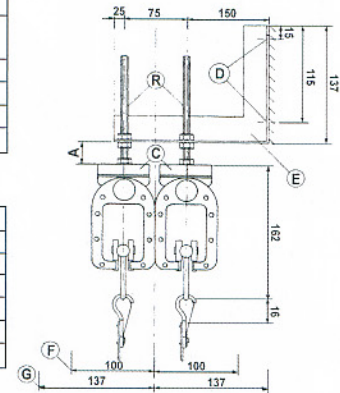
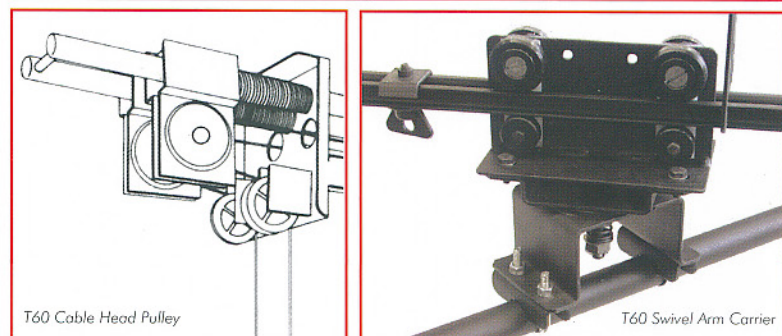
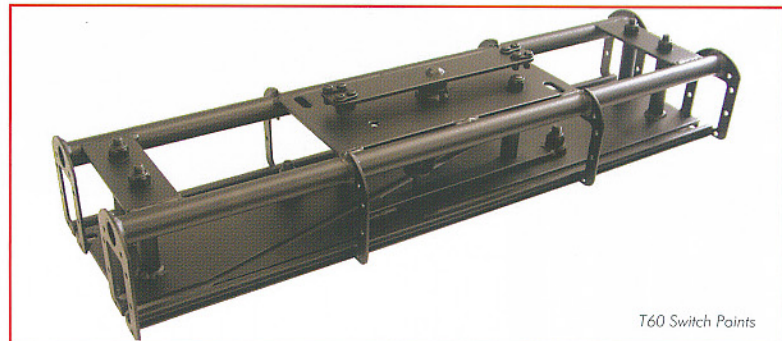
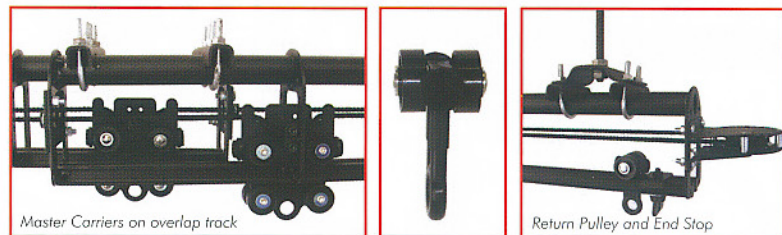


Figure 2 Key

A	Degrees of adjustment between 16mm - 100mm
B	Stud Bolts 10mm dia in 150/300 lengths
C	Universal Fitting
D	10mm dia Bolt Holes
E	Face Fixing Bracket 150mm reach (inner track)
F	Recommended clearance for track
G	Recommended clearance for curtains

All dimensions in mm



Full specifications of the T60 Track range and other fine stage and theatre products may be obtained from our web site as downloadable Product Data Sheets.

For more information visit www.hallstage.com
or enquire via e-mail: sales@hallstage.com

In line with a programme of continued product development and improvement, Hall Stage Limited reserve the right to vary the specification, design or construction of any products/equipment described or offered for sale, or to withdraw or replace products/equipment without prior notification or public announcement.



Tel:
+44 (0) 845 345 4255
Fax:
+44 (0) 845 345 4256

Hall Stage Limited, Unit 4, Cosgrove Way, Luton,
Bedfordshire, LU1 1XL, UK